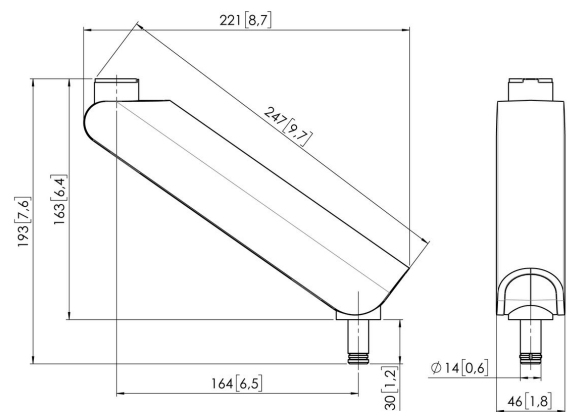


## MOMO C316 Monitor Arm Motion Component, angled, 16 cm (black)

### Key Benefits

- Height Adjustable
- Suitable for one, two or a whole series of monitors
- Easy to assemble without tools
- Flexible modular system
- TÜV certified / 10-year guarantee

Build your ideal monitor arm The MOMO C316 Monitor Arm Component, straight, 16 cm, is part of MOMO Motion and Motion+. Specially designed for mounting the monitor arm or interface together. Endless possibilities Create a multi-monitor set-up with just a few components. Including both straight and angled positions. MOMO monitor arm accessories and components are installed using just one allen (hex) key, cleverly integrated into the product. So you'll always have the right tool at hand.





## MOMO C316 Monitor Arm Motion Component, angled, 16 cm (black)



## Specifications

|                      |               |
|----------------------|---------------|
| Article number (SKU) | 7163160       |
| Colour               | Black         |
| EAN single box       | 8712285354304 |
| TÜV certified        | Yes           |
| Guarantee            | 10 years      |

VOGEL'S HOLDING BV (©)

All rights reserved.  
Subject to printing errors,  
technical and price  
amendments.

Date: 2023-06-16



**Vogel's. For Sure.**